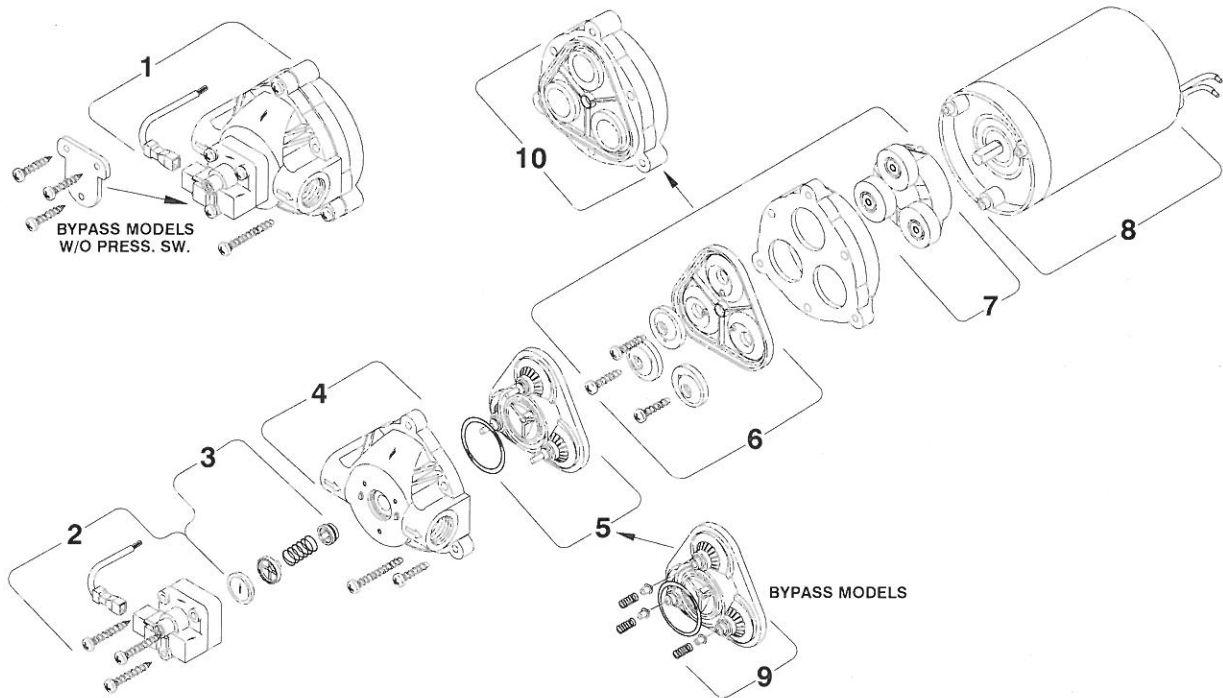


SHURflo

KITS FOR MODEL 8008-943-839

Issued: 3-21-06-cl



1) Complete Pump Head	N/A
2) Switch Assembly	84-330-22
3) Check Valve Assembly	94-374-09
4) Upper Housing	94-379-01
5) Valve Assembly (Standard)	94-390-06
6) Diaphragm	N/A
7) Drive Assembly	N/A
8) Motor	11-185-00
9) Valve Assembly (Bypass)	N/A
10) Solid Diaphragm/Drive Assembly	94-385-32

Label Criteria: 8008-943-839

Volts.....: 12VDC AMPs.....: 12.5

Type.....: 36 Flow GPM/LPM.: 1.8 GPM/6.8

Fuse.....: 15.0 UPC Number...: N

PSI or IN HG...:125 PSI IC Code/Ref..:

Bars.....: Meters.....:

Watts.....: Label Box Qty:

Hertz.....: Motor/GP Ref.:

Fuse Comment...: SUPPLY W/15 AMP TIME DELAY FUSE

Notes...: (*) SUPPLY W/15.0 AMP TIME DELAY FUSE.